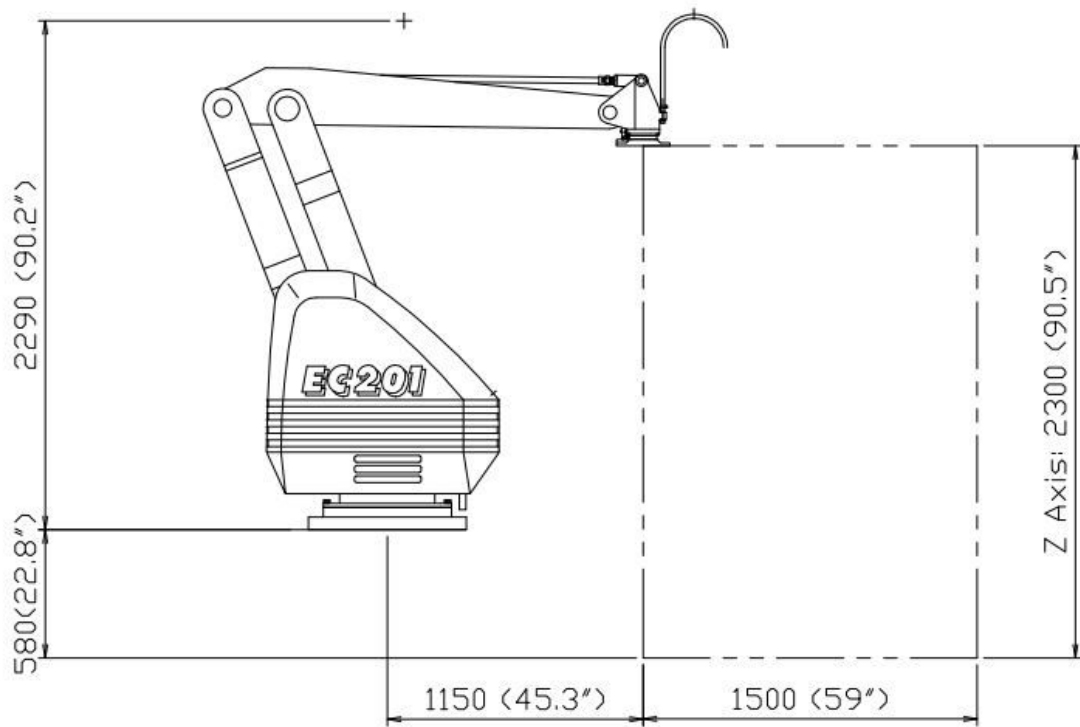


EC-201 Series Technical Specifications

Fuji ACE Model		EC-201HS	EC-201HD	EC-201W
Type of Motion		Multi-Articulated		
Action Mode		Cylindrical		
Load Capacity (Including End Effector)		70kg(150lbs)	200kg(440lbs)	320kg(700lbs)
Palletizing Capacity (cycles / hour)		1800	1600	600
Degree of freedom		4 axis		
Operating Area	Z axis (vertical)	2300mm (90.5")		
	R axis (longitudinal)	1500mm (59")		
	Theta axis (rotation)	330°		
	Alpha axis (wrist)	330°		
Repeatability		±0.5mm		
Memory		120-400programming locations available		
Teaching method		Teaching playback / Teaching Support		
Power Requirements		(200/220V, 3phase, 50/60 Hz)		
Power Consumption (Without Peripheral Equipment Load)		6.5KVA / 17amps		7KVA / 18.4 amps
Robot Weight(Without End Effector)		1150kg (2536lbs)		
Pneumatic Consumption (*Using Standard Fuji Case or Bag End Effector)		*5.7SCFM @ 70psi(0.5MPa)		

Note: Capacity rates can be significantly affected by layouts, product types, and can be confirmed after a detailed analysis of an application.



θ Axis range 330°

α Axis range 330°

