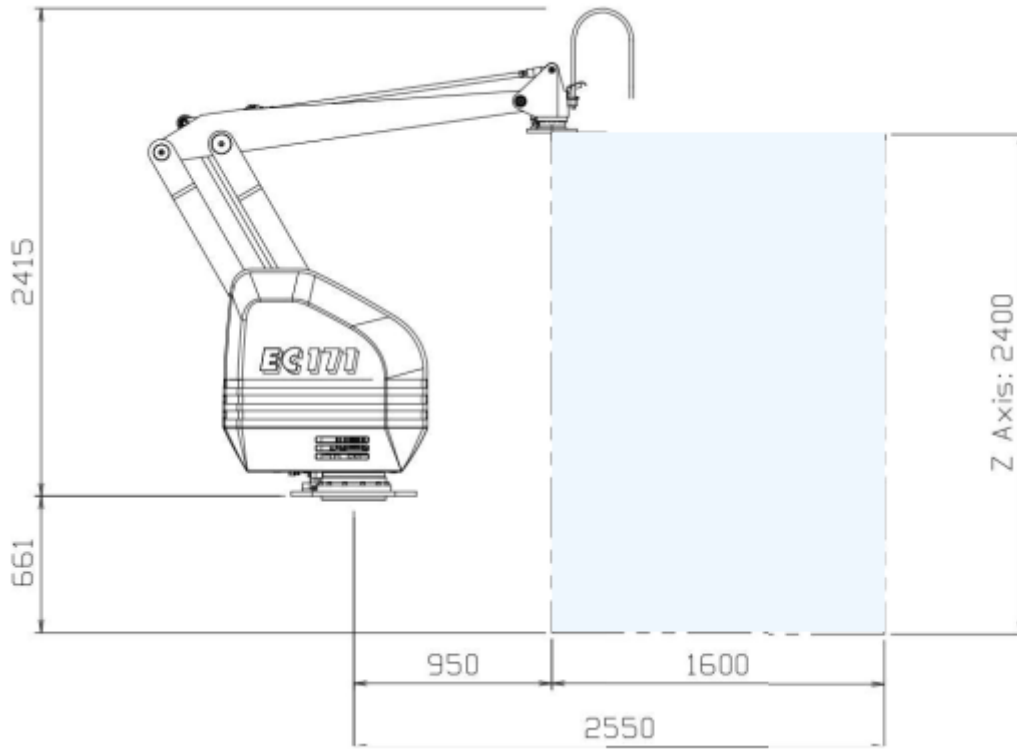


Technical Specifications

Fuji ACE Model	EC-171	
Type of Motion	Multi-Articulated	
Action Mode	Cylindrical	
Load Capacity (Including Hand Gripper)	160kg	
Palletizing Capacity (cycles / hour)	1500	
Degree of freedom	4 axis	
Reach	Z axis (vertical)	2400mm
	R axis (longitudinal)	2550mm
	Theta axis (rotation)	330°
	Alpha axis (wrist)	330°
Memory	400 programming locations available	
Teaching method	Auto teaching system	
Power Requirements	(200/220V, 3phase, 50/60 Hz)	
Power Consumption (Without Peripheral Equipment Load)	4kVA	
Robot Weight (Without Hand Gripper)	750kg	
Air consumption* (Using Standard FUJI Case or Bag Hand Gripper)	225 NI/min@70psi(0.5Mpa)	

Note: Capacity rates can be significantly affected by layouts, product types, and can be confirmed after a detailed analysis of an application.



θ Axis range 330°

