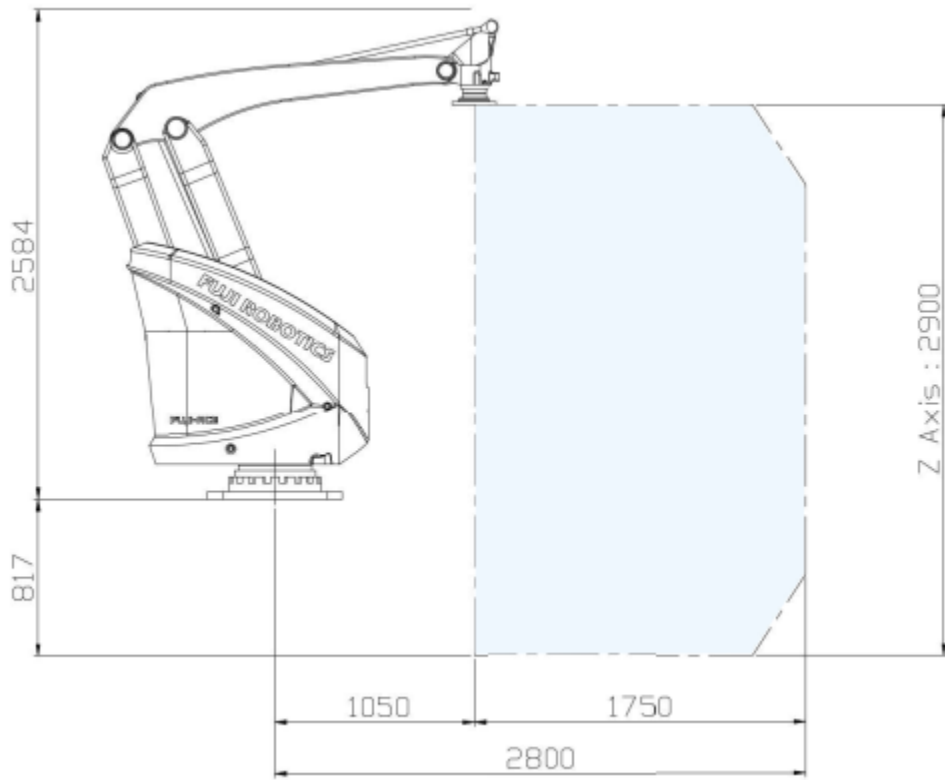


Technical Specifications

Fuji ACE Model		EC-202
Type of Motion		Multi-Articulated
Action Mode		Cylindrical
Load Capacity (Including Hand Gripper)		200kg
Palletizing Capacity (cycles / hour)		1800 or more
Degree of freedom		4 axis
Reach	Z axis (vertical)	2900mm
	R axis (longitudinal)	2800mm
	Theta axis (rotation)	330°
	Alpha axis (wrist)	330°, (* optional 360°)
Memory		400 programming locations available
Teaching method		Auto teaching system
Power Requirements		(200/220V, 3phase, 50/60 Hz)
Power Consumption (Without Peripheral Equipment Load)		6.5kVA
Robot Weight (Without Hand Gripper)		1252kg
Air consumption* (Using Standard FUJI Case or Bag Hand Gripper)		280 NI/min@70psi(0.5Mpa)

Note: Capacity rates can be significantly affected by layouts, product types, and can be confirmed after a detailed analysis of an application.



θ Axis range 330°

